

European advanced servo-drive technology, the new generation of high efficiency, energy-saving, environmental protection CNC servo turret punch. Probably the best price/quality ratio in the world!

DINAMICA



DINAMICA

DAS2 1550



DERATECH

Company
Introduction

**PROBABLY THE BEST PRICE/
QUALITY RATIO IN THE WORLD !**





DERATECH GROUP

Deratech is specialized in designing and manufacturing sheet metal working machines. The Deratech headquarters for research, design and assembly are based in Belgium. Subsidiaries all over the world (Australia, China, Germany, Netherlands, Thailand,...) and carefully selected partners provide a world class advice, sales installation and service.

Shanghai Deratech CNC Machine Tool Co. Ltd, is the new production & technology center of Deratech – Belgium in China. The advanced European design, quality and technology of our R&D center in Belgium together the experienced engineering team of Shanghai Deratech will result in high quality production of sheet metal working machinery. All processing is designed in 3D by our technical department to obtain a high precision on all the manufactured machine parts.

Deratech is your partner in sheet metal working machinery.

DINAMICA

THE NEW GENERATION OF HIGH EFFICIENCY SERVO-DRIVE TURRET PUNCHING TECHNOLOGY, ENERGY EFFICIENCY, VERSATILITY AND ACCURACY AND LOW MAINTENANCE COST.



DINAMICA

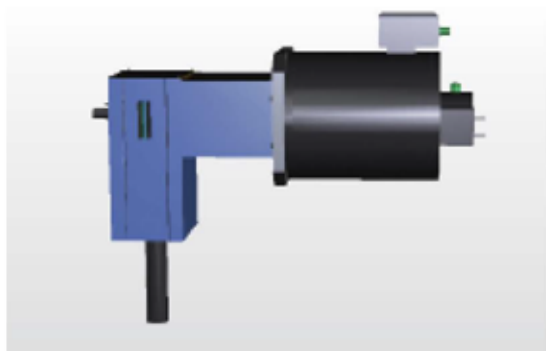
DAS2 1550



PRODUCT FEATURES

1

The servo-mechanically driven punching stroke is CNC-controlled, resulting in an unmatched high-performance punching, energy saving, superior reliability, outstandingly accurate forming capacity. Saving up to 60% of electrical power over typical hydraulic machines.



2

The Heavy Duty "O" type frame is engineered to ensure tighter tolerances, distortion free parts and perfect tool alignment. Complete annealing of the frame after welding to eliminate internal stress. The frame is built to last a life time...





3

TURRET

Thick turret tooling system provides high flexibility with superior guiding, extended tool life and a minimum tool maintenance. A maximum feed clearance between the upper and lower turret allows for the production of higher forms such as lances, louvers, emboss,...

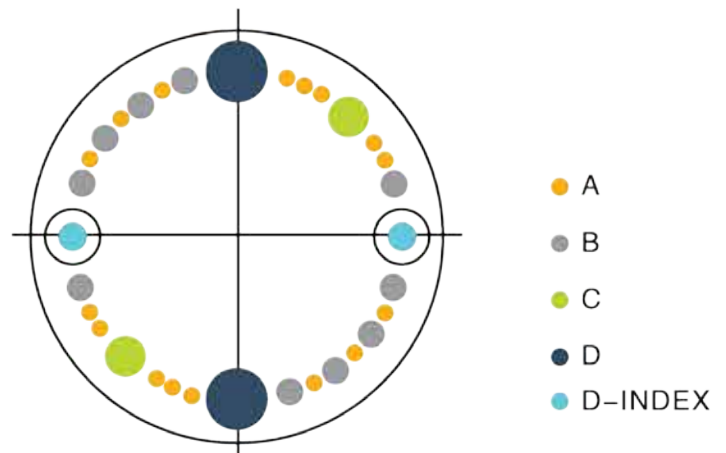


4

The versatile mix of turret stations includes a High precision auto index, compact structure with gear drive. Available in D station.

LAYOUT OF TURRET WORKING POSITION

Station Item	32 Station	Dimension area
A	16	$\phi 2 \sim \phi 12.7\text{mm}$
B	12	$\phi 12.7 \sim \phi 31.75\text{mm}$
C	2	$\phi 31.75 \sim \phi 50.8\text{mm}$
D	2	$\phi 50.8 \sim \phi 88.9\text{mm}$
D-INDEX	2	$\phi 50.8 \sim \phi 88.9\text{mm}$



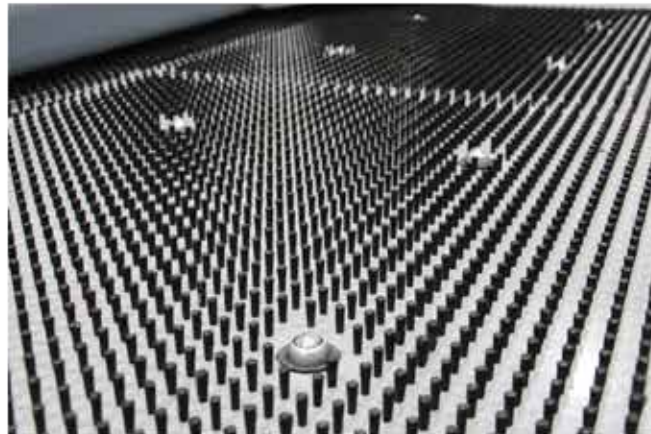
PRODUCT FEATURES



5

TURRET DRIVE

High precision compact drive system integrated in the machine frame.



6

BRUSH WORKING TABLE

Large brush table design provides low noise during the punching operation, scratch-free processing, eliminating secondary finishing.



7

FEED MECHANISM

A high technology positioning system provides heavy sheet carrying capacity and accurate motion control powered by a direct drive servo system for X,Y axis, with high precision ball screw and linear guide (Japan). High speed movement for X and Y with high positioning accuracy.

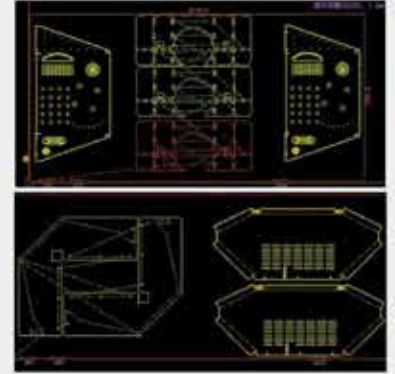


8

CLAMPING

Movable pneumatic clamping.





World-class Siemens CNC system and servo system to ensure precision and stable machine operation.

CNC system

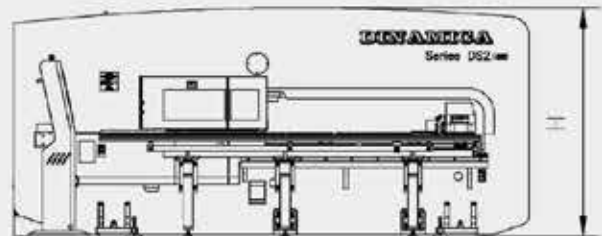
CONTROL SYSTEM

Free standing control system with integrated Siemens controller and a separate floor standing electric cabinet to reduce the effect of vibration during the operation of the machine.



DINAMICA DS | (2016)

Parameter	Unit	DS2.1550	DAS3.1550
Punching capacity	kN	200	300
Max. sheet size(with one reposition)	mm	1500x2500 (5000)	1500x5000
Max. sheet thickness	mm	6	6
Max. punching diameter per once	mm	Φ 88.9	Φ 88.9
Number of stations		32 (2AI)	32 (2AI)
Max. sheet moving speed	m/min	100 (X: 80; Y: 60)	100 (X: 80; Y: 60)
Turret rotation speed	rpm	30	30
Punching times per minute	hpm	1500	1500
Max. punch frequency (1mm pace 4mm punching stroke)	hpm	700	700
Max. punch frequency (25mm pace 4mm punching stroke)	hpm	350	350
Controlling axis		5	5
CNC system		Siemens 802D-SL	Siemens
Hole accuracy	mm	± 0.10	± 0.10
Air pressure	Mpa	0.6	0.6
Dimension(L x W x H)	mm	5100 x 5210 x 2300	5500 x 5210 x 2310
Weight	kg	17000	18000



DERATECH



Deratech Industries bvba.
Kerkstraat 46
2870 Puurs
Belgium

Tel: +32.(0)3.808.19.56
Fax: +32.(0)3.808.19.57

bjorn@deratechindustries.com
www.deratechgroup.com



Deratech bvba
Mantas 6
9250 Waasmunster
Belgium

Tel: +32.(0)52.33.98.98
Fax: +32.(0)52.21.94.01

info@deratech.be
www.deratech.be



Deratech China
No.398, Shuangzhu Rd Jiading
District, Shanghai City
P.R.China

Tel: +86.(21)3107 4898
Fax: +86.(21)3107 4897

info@deratech.cn
www.deratech.cn



Promech Engineering
Nile Tower - Second floor office A1,
Corniche El-Nile Maadi - Cairo
Egypt

Tel: (662)1054267
Phone: +202 25261962
Fax: (662)4821984

sameh@promech-eg.com
www.promech-eg.com



DERATECH GmbH
Königsallee 60F
40212 Düsseldorf
Germany

Tel: +49211 - 88284 - 166
Fax: +49211 - 88284 - 117

info@deratech.de
www.deratech.de



FINVAL INDUSTRY
14/22, 2-d Youzhnoportoviy Proezd
115088, Moscow
Russia

Tel: +7 (495) 213-87-83
Fax: +7 (495) 647-88-56

sales@deratechgroup.com
www.finval.ru



Deratech - Automation Line Trading LLC
Al Qusais Industrial 1
P.O.BOX 234393 Dubai
United Arab Emirates

Tel: +971 4 341 8831
Fax: +971 4 264 1432

uae@deratechgroup.com
www.automationline.net



Deratech Australia
5/ 35-41 Westpool Drive
Hailam, Victoria 3803
Australia

Tel: +613 9796 5260
Fax: +613 9796 5360

sales@deratech.com.au
www.deratech.com.au



Deratech Thailand
101/82 Moo 12
Puttamonthon5 Road
Raiking Sampran, Nakhonpathom
73210 Thailand

Tel: +6624088637-8
Fax: +6624088639

thailand@deratechgroup.com
www.deratechgroup.com



M/s. TECH MACH MACHINE TOOLS
#34, Basement, 1st Main Road,
Anandnagar, Bangalore - 560024,
Karnataka State
INDIA.

Tel: +91-080-23531129
Mob: +919845068437

sales@deratechgroup.com
www.techmach.in



Bajaj Machines India Pvt.Ltd.
Add:C-184,Naraina Industrial Area,
Phase-I,
New Delhi-110028,INDIA

Tel:+91 11 25797557,25893908
Fax:+91 11 25790640,
Mob:+91 9999007070

info@bajajmachinesindia.com
www.bajajmachinesindia.com