

DMD

Rotating discs magnetic separators



DMD

DMD is a rotating magnetic discs separator for coolants used during industrial machining contaminated by magnetic particles.

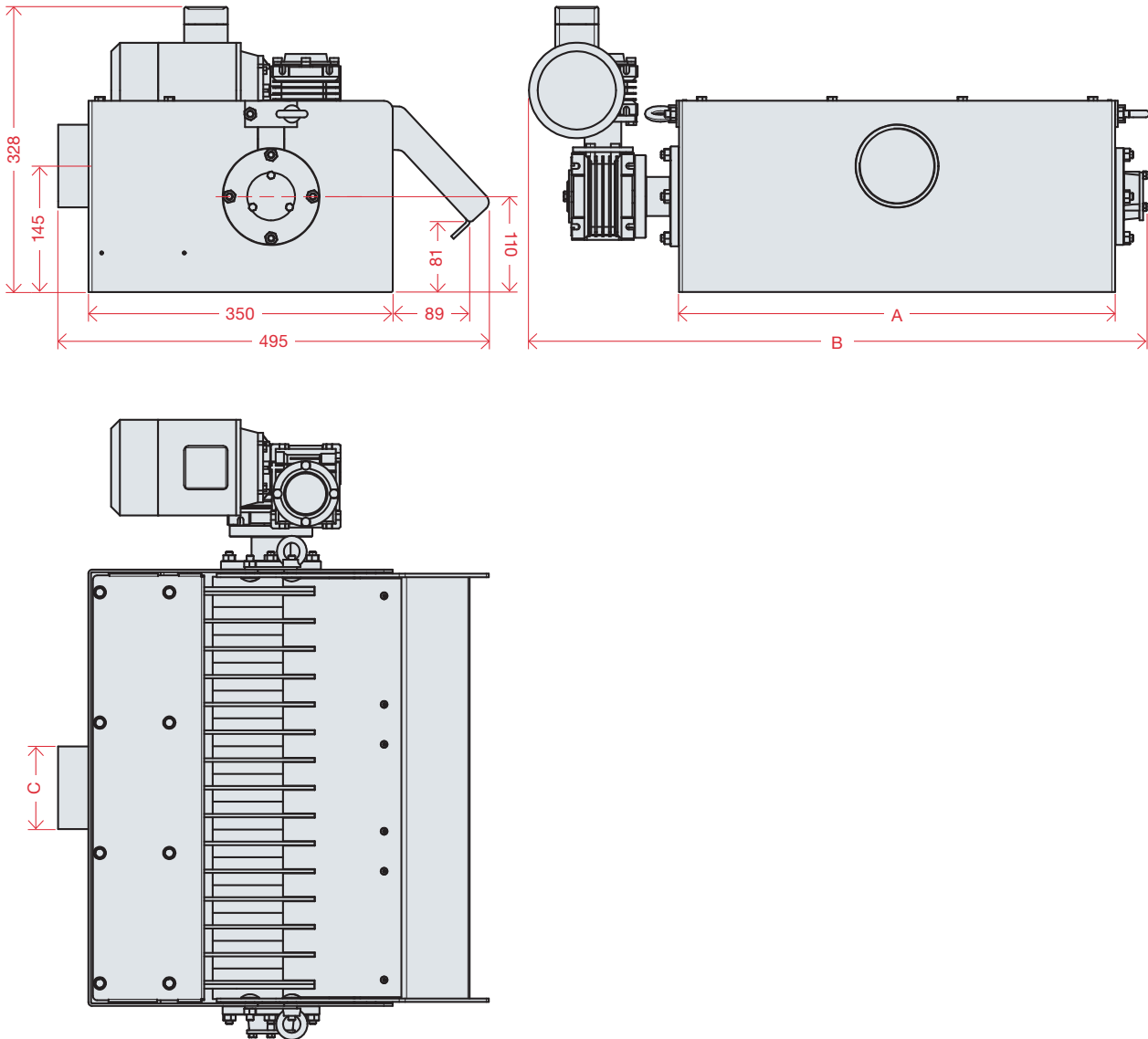
DMD series is available in 7 standard models for flowrates ranging from 50 to 400 l/min of emulsion and from 25 to 200 l/min of neat oil.



LOSMA guarantees that every single unit is individually tested through strict control procedures. Each unit is issued a test certificate for quality and function.



DMD Technical data



DMD	Dimensions			DMD	Max filtering cap. emulsion l/min	Max filtering cap. neat oil l/min	Power (kW)		Weight Kg	230 V	265 V	400 V	460 V
	A	B	C				50 (Hz)	60 (Hz)		50 Hz	60 Hz	50 Hz	60 Hz
50	160	370	3"	50	50	25	0.12	0.12	32/37	0.83	0.85	0.48	0.49
100	236	445.5	3"	100	100	50	0.12	0.12	40/45	0.83	0.85	0.48	0.49
150	350	560	3"	150	150	75	0.12	0.12	51/56	0.83	0.85	0.48	0.49
200	426	635	3"	200	200	100	0.12	0.12	60/65	0.83	0.85	0.48	0.49
250	502	710	3"	250	250	125	0.12	0.12	70/78	0.83	0.85	0.48	0.49
300	654	885	3"	300	300	150	0.12	0.12	90/NN	0.83	0.85	0.48	0.49
400	844	1080	3"	400	400	200	0.12	0.12	120/NN	0.83	0.85	0.48	0.49
500	1034	1265	3"	500	500	250	0.12	0.12	140/NN	0.83	0.85	0.48	0.49

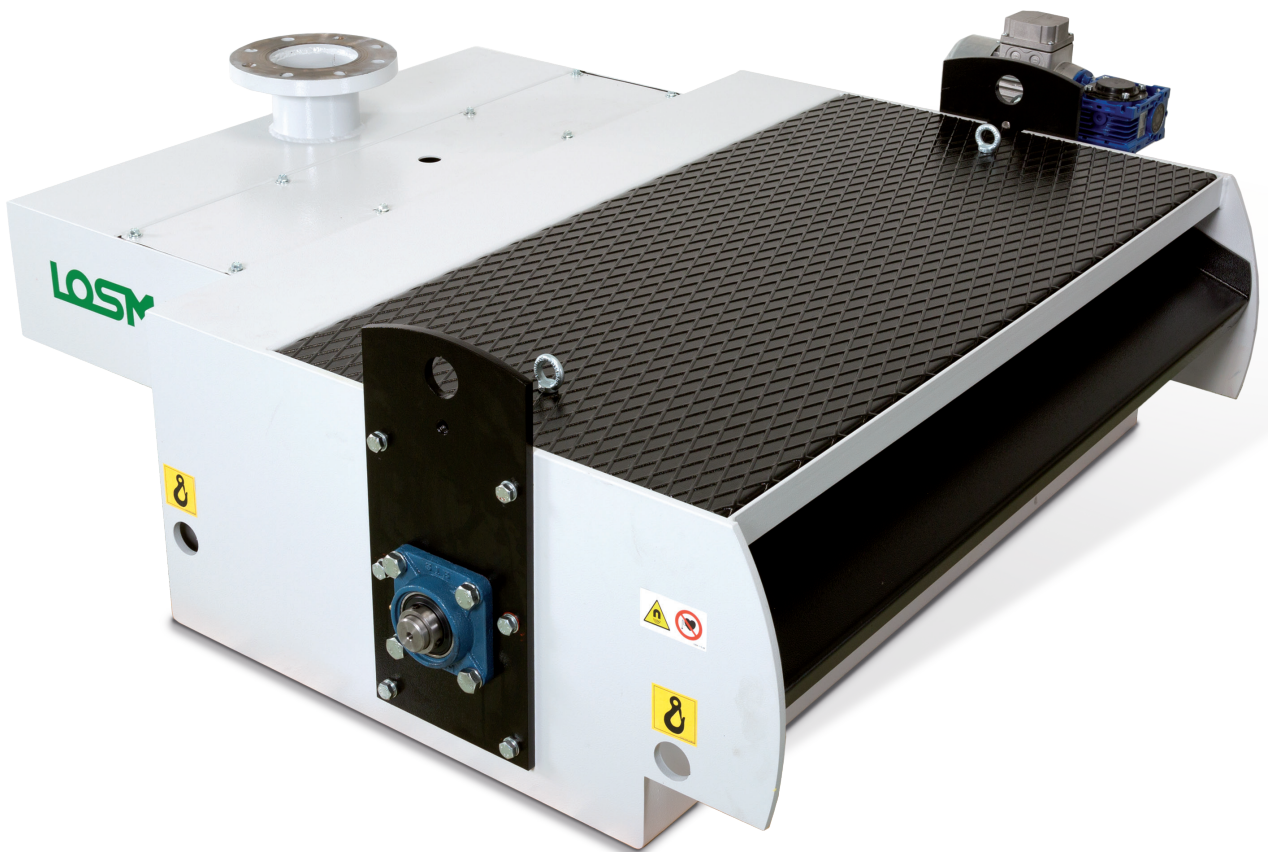
DMD-P

For heavy flowrates DMD P was designed, are rotating magnetic discs available in 5 models, able to filter from 600 to 1800 l/min of emulsion and from 300 to 900 l/min of neat oil.

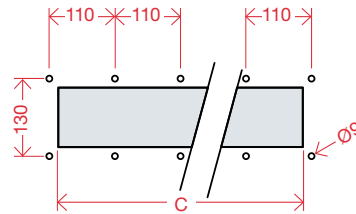
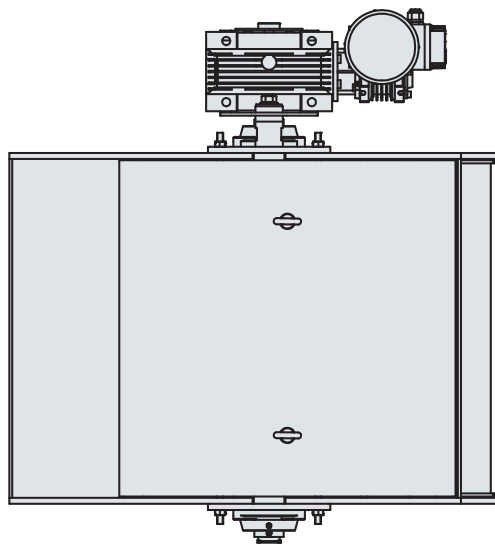
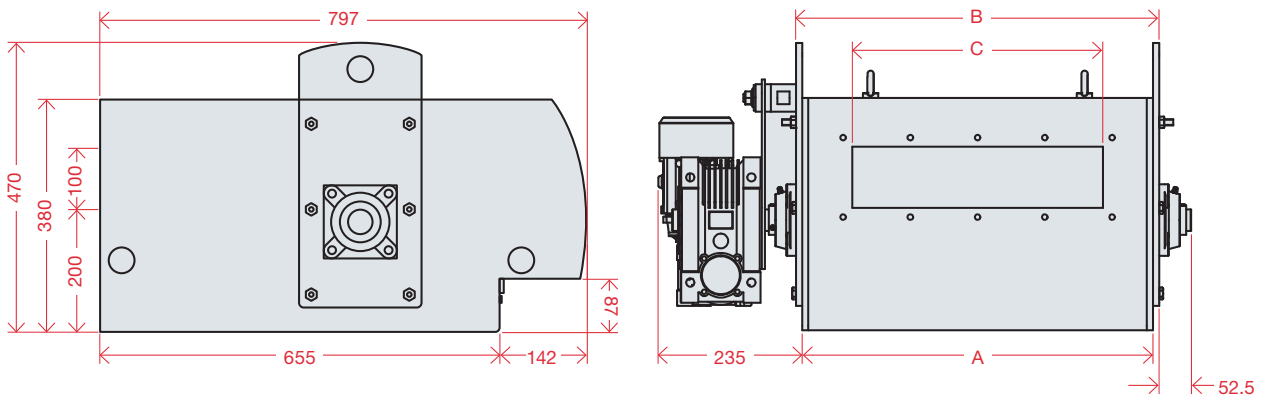
The robust structure of DMD-P is suitable for large machine tools, centralized applications, machining centers, grinding, deep drilling and hard machining.



LOSMA guarantees that every single unit is individually tested through strict control procedures. Each unit is issued a test certificate for quality and function.



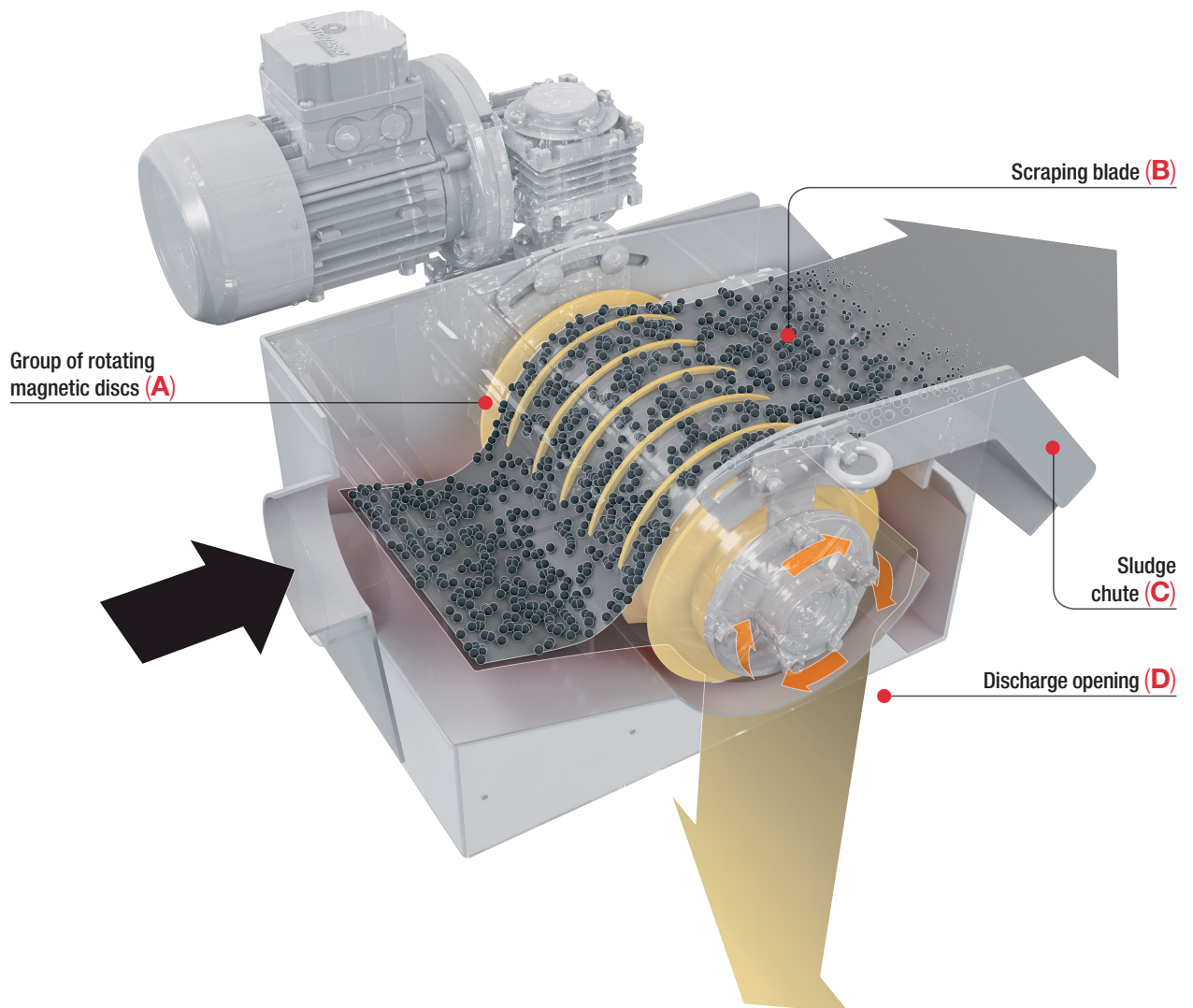
DMD-P Technical data



DMD-P	Dimensions		
	A	B	C
600	574	594	410
900	849	869	520
1200	1124	1144	740
1500	1398	1418	960
1800	1674	1694	1180

DMD-P	Max filtering cap. emulsion l/min	Max filtering cap. neat oil l/min	Power (kW)		Weight Kg	230 V	265 V	400 V	460 V
			50 (Hz)	60 (Hz)		50 Hz	60 Hz	50 Hz	60 Hz
			A	A		A	A	A	A
600	600	300	0.18	0.18	270	1.16	1.18	0.85	0.68
900	900	450	0.18	0.18	400	1.16	1.18	0.85	0.68
1200	1200	600	0.18	0.18	450	1.16	1.18	0.85	0.68
1500	1500	750	0.18	0.18	-	1.16	1.18	0.85	0.68
1800	1800	900	0.18	0.18	580	1.16	1.18	0.85	0.68

Working principles



- 1** Contaminated coolant passes through the group of rotating magnetic discs (A), where magnetic particles are captured.
- 2** A scraping blade (B) removes the metallic particles from the rotating group, conveying them to the sludge chute (C) which collects

the waste into a tank.

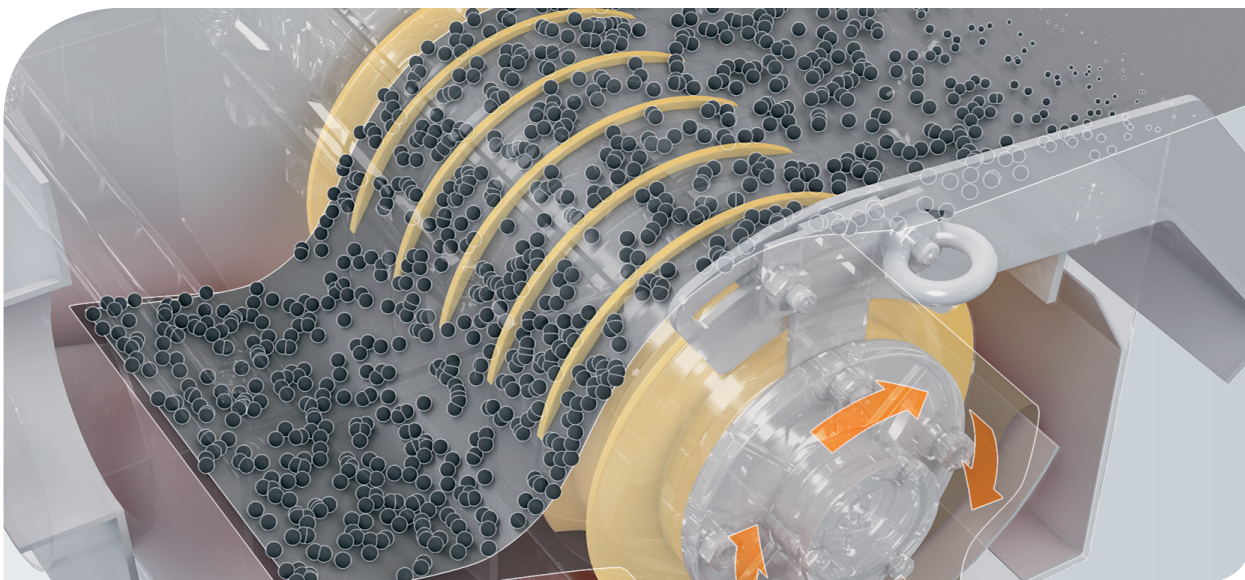
- 3** Clean oil is collected into a tank (D) and pumped back to the machine tool thanks to a dedicated pump, or is collected for a further process of fine filtration.

Plus



MODULARITY

DMD and DMD P can be paired with any other filter of Losma's product range, in order to guarantee the most accurate filtration.



PERMANENT FILTERING MATERIAL

DMD and DMD-P do not need any consumable filter.



Health



Savings



Efficiency



Environment



Safety

newtarget



Losma SpA

HQ:

Via E. Fermi, 16 - 24035 Curno - Bergamo
Tel. +39 035 461444 - Fax +39 035 461671
info@losma.it - www.losma.it

Turin office:

Via G. Brunero, 2 - 10077 San Maurizio Canavese - Torino
Tel. +39 011 9275631
info@losma.it - www.losma.it



ISO 9001
TUV SUD
Certified
Company



ISO 14001
TUV SUD
Certified
Company



Autorizzato
all'utilizzo

Losma GmbH

Albert-Einstein-Str. 2 - 70806 Kornwestheim
Tel. +49 7154 8160480 - Fax +49 7154 8160485
info@losma.de - www.losma.de

Losma Inc.

30A Wilson Drive - Sparta - NJ 07871
Tel. +973 248 0070 - Fax +973 940 0950
info@losmausa.com - www.losma.com

Losma UK Ltd.

6 Strensham Business Park
WR8 9JZ Strensham Worcestershire
Tel. +44 (0)1684 276527 - Fax +44 (0)1684 276470
info@losma.co.uk - www.losma.co.uk

Losma Pvt Ltd.

Plot No 7A, Gat. No. 63, Shindewadi
Tal: Bhor, District: Pune - 412205 - Maharashtra
Tel. +91 9226107775
info@losma.in - www.losma.com

F005:125.03