

# Galileo Plus

Mist Collector



# Galileo Plus

Galileo Plus is a patented centrifugal filter for mist generated from neat oil and emulsions used in machine tools, also suitable in the presence of particulate.

Galileo Plus is available in 5 models with throughputs from 325 to 3.500 m<sup>3</sup>/h.

**Patented in Italy.**

Patent pending in Europe, USA, China and Japan.

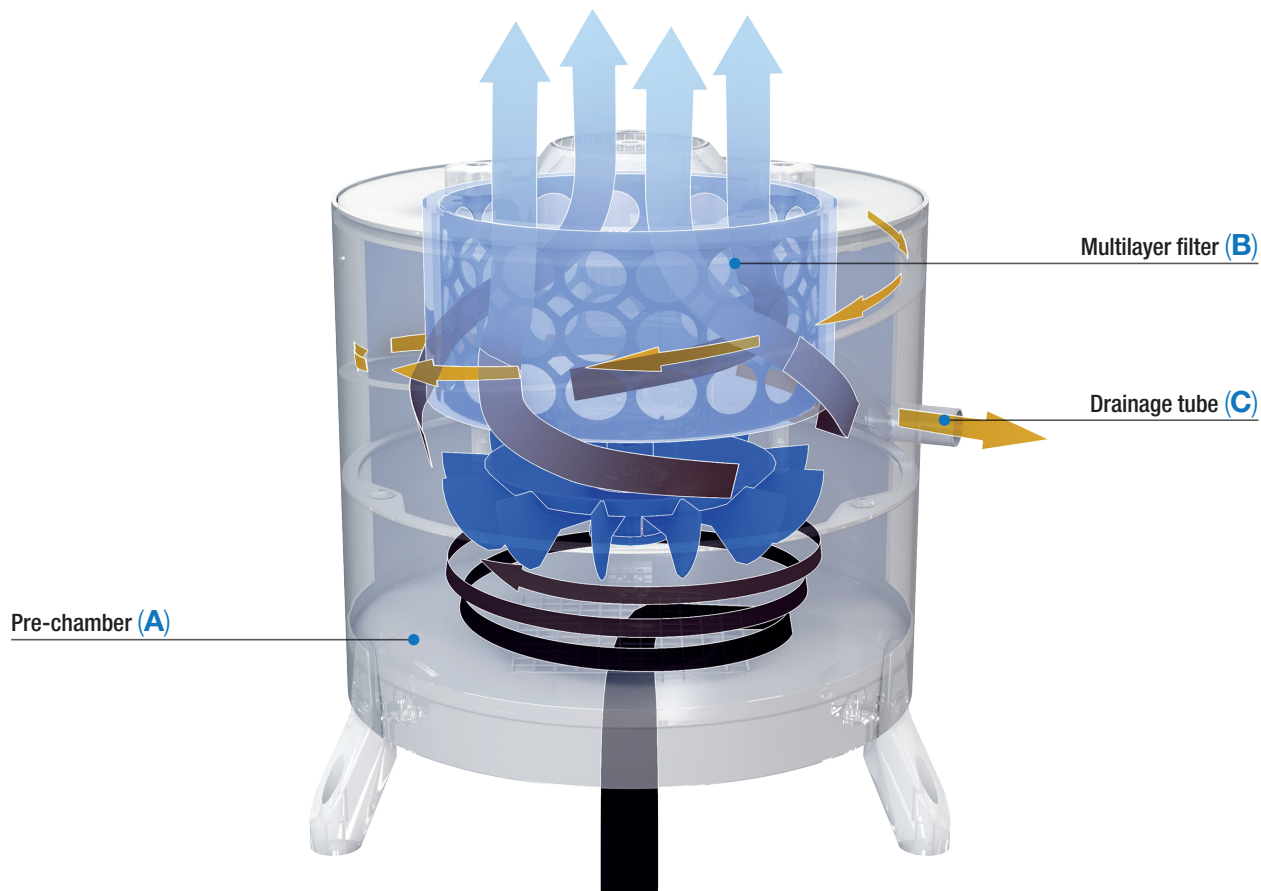


LOSMA grants that every single system is tested through strict control procedures.

Every unit is provided with a qualitative and functional test certificate.



# Working principles

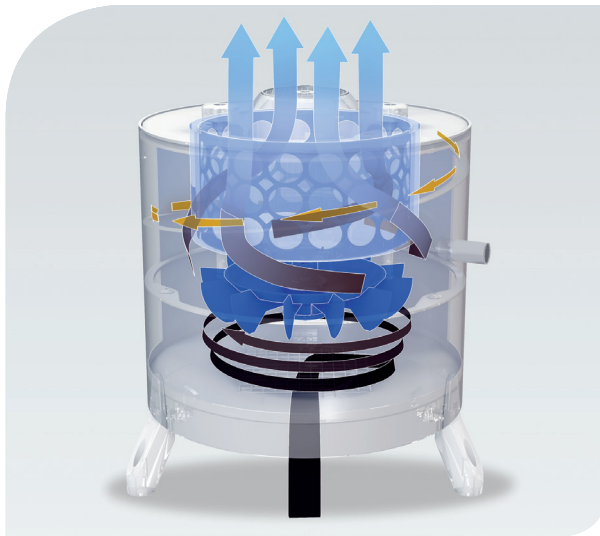


- 1** Polluted air is drawn from machine tool into the lower pre-chamber (A) of Galileo Plus.
- 2** The acceleration effect, due to the centrifugal force generated by a rotating turbine, makes the oil particles bind together and return to liquid state, using the coalescence principle.
- 3** A special Multilayer filter (B) having high filtration efficiency, stops and catches even the smallest pollutant particles, avoiding their dispersion in environment.
- 4** Thanks to a special drainage tube (C) the liquid oil is sent back to the machine tool, to be re-used in working process.

## Filter Series



# Plus



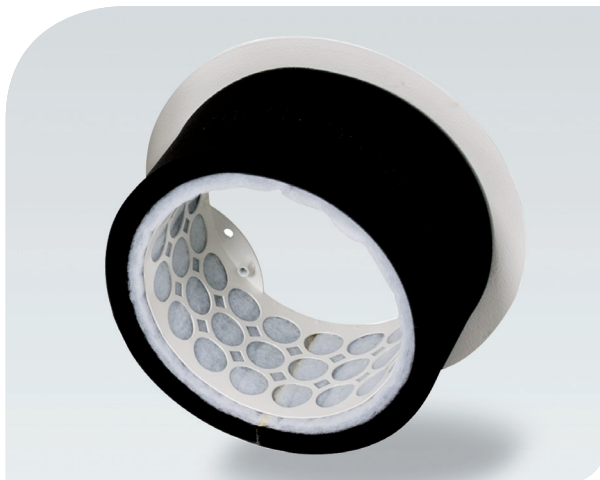
## HIGH FILTRATION LEVEL AND LONG LASTING FILTERS

The combination of the turbine centrifugal action and a high efficiency multilayer filter set guarantees a high filtration level. Filters are positioned after the centrifugal action of the turbine, thus they are exposed to a limited amount of polluting agents, having a small size. This location grants Galileo Plus's filters a longer life than the one of the most common centrifugal or static filters in the market.



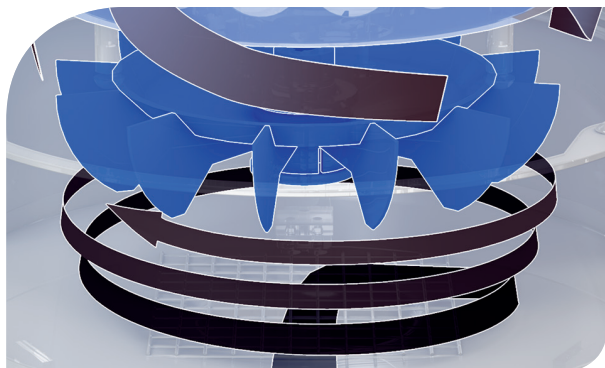
## REDUCED ELECTRICAL CONSUMPTION

Inspired by Blue Philosophy, Galileo Plus uses energy saving motors with high efficiency and very low power (KW) (see table at next page).



## TESTED MATERIAL FROM LOSMA'S LABORATORIES

Galileo Plus internal materials passed compatibility stress tests, carried on with different types of neat oils and emulsions in the market.



### **SPECIAL TURBINE**

Designed for avoiding dust settlement on its surface, secures no vibrations also in case of big quantities of particulate.



### **QUICK AND EASY MAINTENANCE**

Internal filters can be cleaned or changed simple opening of a cover.



### **INNOVATIVE DESIGN**

Galileo Plus combines the Italian design with cutting-edge technologies for a better working environment.

# Optional

### G-Clipper Plus

Post-filter cartridge for micro-mist, smoke and vapor. It allows to reach a high filtration level up to 99.97%.

### G-Guard

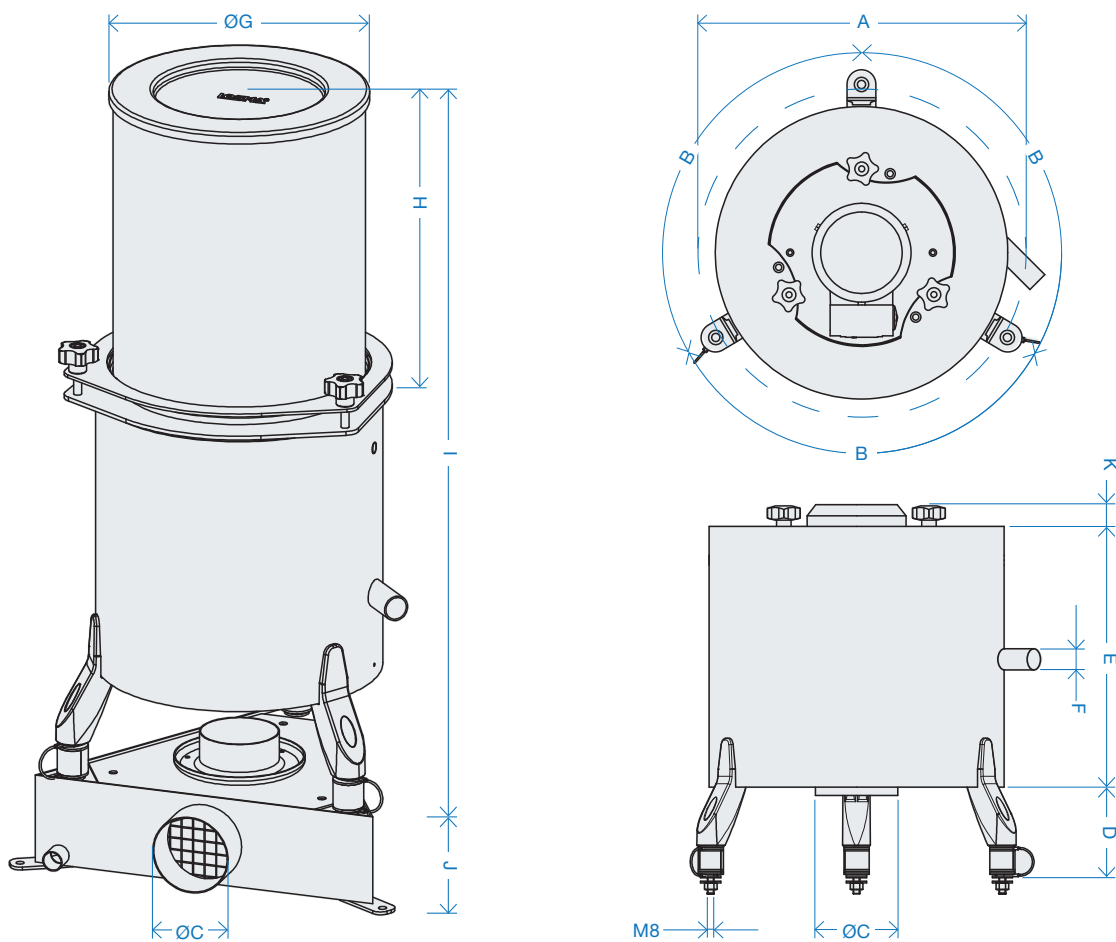
Pre-filtration module useful to optimize air filtration efficiency, in case of high production of oil mist containing dust or swarf chips, also with high pressures. The G-Guard is washable.



# Installations



# Technical data



MODELS	Dimensions (mm)					
	ØA	<) B	ØC	D	E	ØF
<b>GP 250</b>	330	120	78	98	388	25
<b>GP 500</b>	400	120	98	98	418	25
<b>GP 1000</b>	490	120	148	88	508	25
<b>GP 2000</b>	530	120	148	88	558	25
<b>GP 3000</b>	560	90	198	88	658	25

MODELS	Dimensions (mm)					
	ØC	ØG	H	I	J	K
<b>GP 250</b>	78	254	314	698	93	22
<b>GP 500</b>	98	315	314	731.5	113	26
<b>GP 1000</b>	148	380	435	940	163	75
<b>GP 2000</b>	148	380	435	990	163	33
<b>GP 3000</b>	198	460	350	1024	218	24.6

MODELLI	Flow Rate (m <sup>3</sup> /h)*		Pressure (Pa)		Power		Inlet (mm)	Noise level (dBa)		Net Weight (kg)	RPM (rpm)	
	50 (Hz)	60 (Hz)	50 (Hz)	60 (Hz)	50 (Hz)	60 (Hz)		50 (Hz)	60 (Hz)		50 (Hz)	60 (Hz)
<b>GP 250</b>	325	450	320	410	0.09	0.12	80	58	60	10	2900	3450
<b>GP 500</b>	700	850	800	900	0.25	0.29	100	68	69	14	2900	3450
<b>GP 1000</b>	1520	1550	1000	1210	0.55	0.63	150	70	71	29	2800	3450
<b>GP 2000</b>	2160	2230	1100	1310	1.1	1.3	150	72	73	34	2900	3450
<b>GP 3000</b>	3400	3500	1300	1500	1.5	1.75	200	71	75	54	2900	3500

\* Free inlet.



Health



Savings



Efficiency



Environment



Safety

newtarget



**Losma SpA**

HQ:

Via E. Fermi, 16 - 24035 Curno - Bergamo  
Tel. +39 035 461444 - Fax +39 035 461671  
info@losma.it - www.losma.it

**Turin office:**

Via G. Brunero, 2 - 10077 San Maurizio Canavese - Torino  
Tel. +39 011 9275631  
info@losma.it - www.losma.it



ISO 9001  
TUV SUD  
Certified  
Company



ISO 14001  
TUV SUD  
Certified  
Company



Autorizzato  
all'utilizzo

**Losma GmbH**

Albert-Einstein-Str. 2 - 70806 Kornwestheim  
Tel. +49 7154 8160480 - Fax +49 7154 8160485  
info@losma.de - www.losma.de

**Losma Inc.**

30A Wilson Drive - Sparta - NJ 07871  
Tel. +973 248 0070 - Fax +973 940 0950  
info@losmausa.com - www.losma.com

**Losma UK Ltd.**

6 Strensham Business Park  
WR8 9JZ Strensham Worcestershire  
Tel. +44 (0)1684 276527 - Fax +44 (0)1684 276470  
info@losma.co.uk - www.losma.co.uk

**Losma Pvt Ltd.**

Plot No 7A, Gat. No. 63, Shindewadi  
Tal: Bhor, District: Pune - 412205 - Maharashtra  
Tel. +91 9226107775  
info@losma.in - www.losma.com

F005.069.09