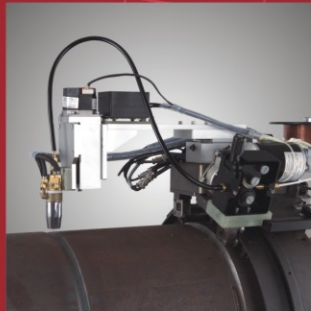
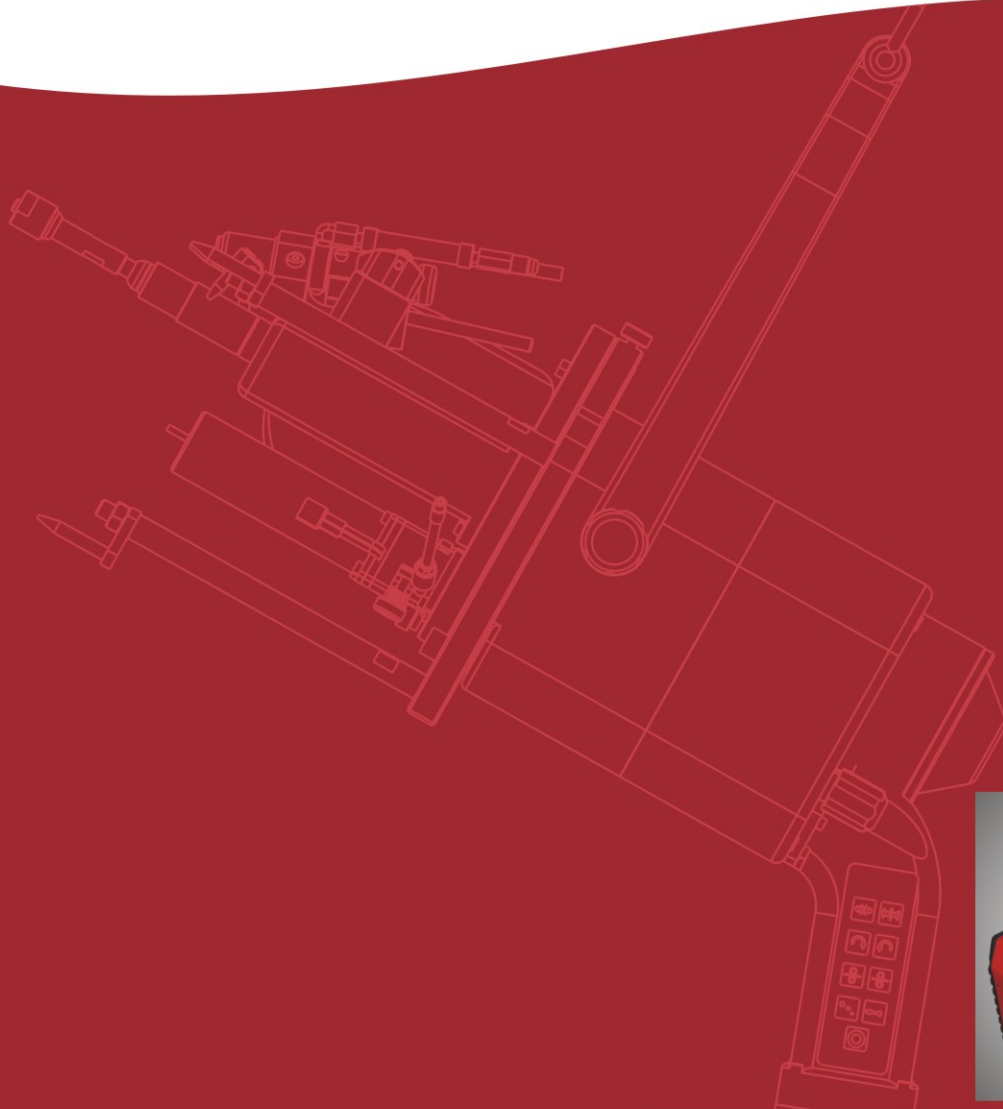


HUAHENG



ORBITAL Welding System

HUAHENG WELDING CO., LTD.

MIGTRACK 60

Autocar Narrow Groove Welding System

Brief Introduction

This system is specially designed for pipe to pipe automatic MIG welding, mainly for filling, covering passes welding for OD > Φ 300mm pipe.

Support equipment: PHOENIX COLDARC series Welding Power Source.

Application: Engineering liquefied gas and oil Pipe installation and factory prefabrication.

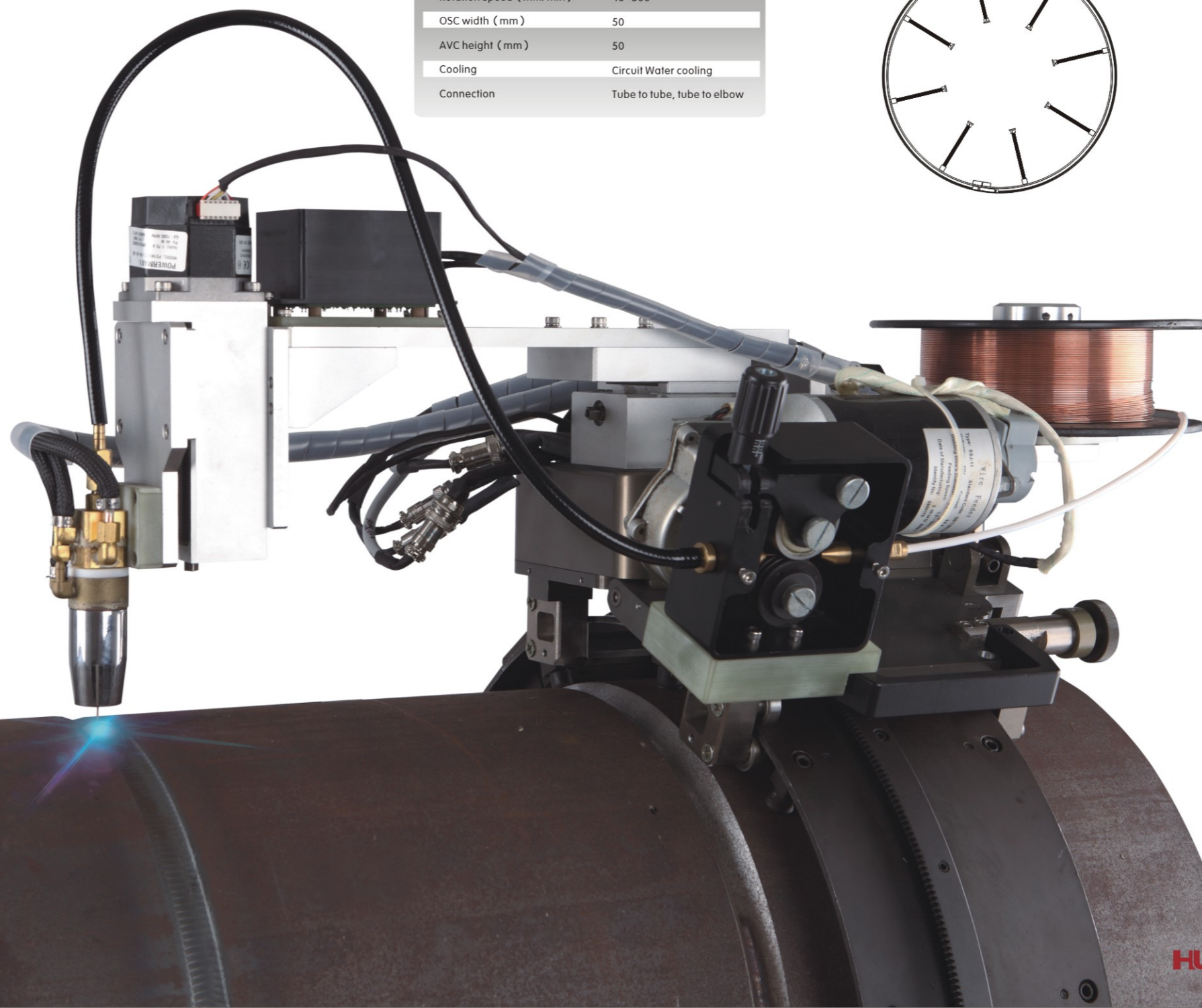
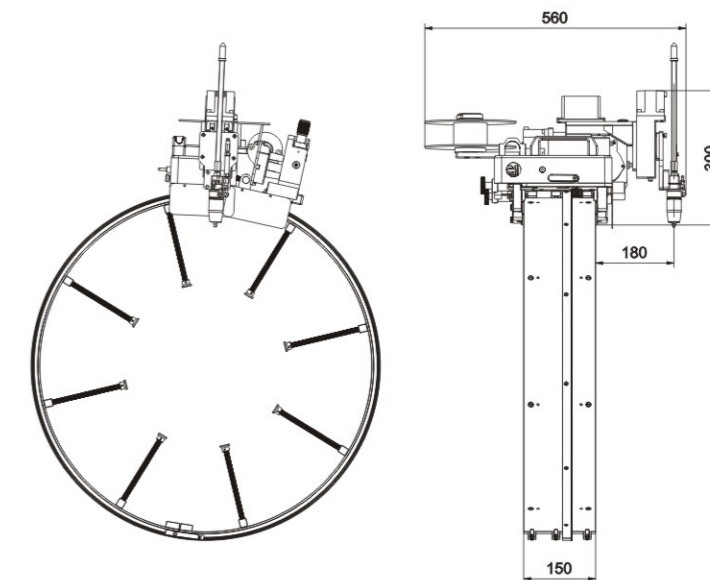
Features

- Gear transmission, stable rotation speed;
- Special MAG double root pass process, satisfying complex work condition;
- Double water cooling, suitable to big and thick pipe filling pass process;
- Short distance wire feeding, ensure wire feeding stable;
- Different guide to do welding for different OD tube.

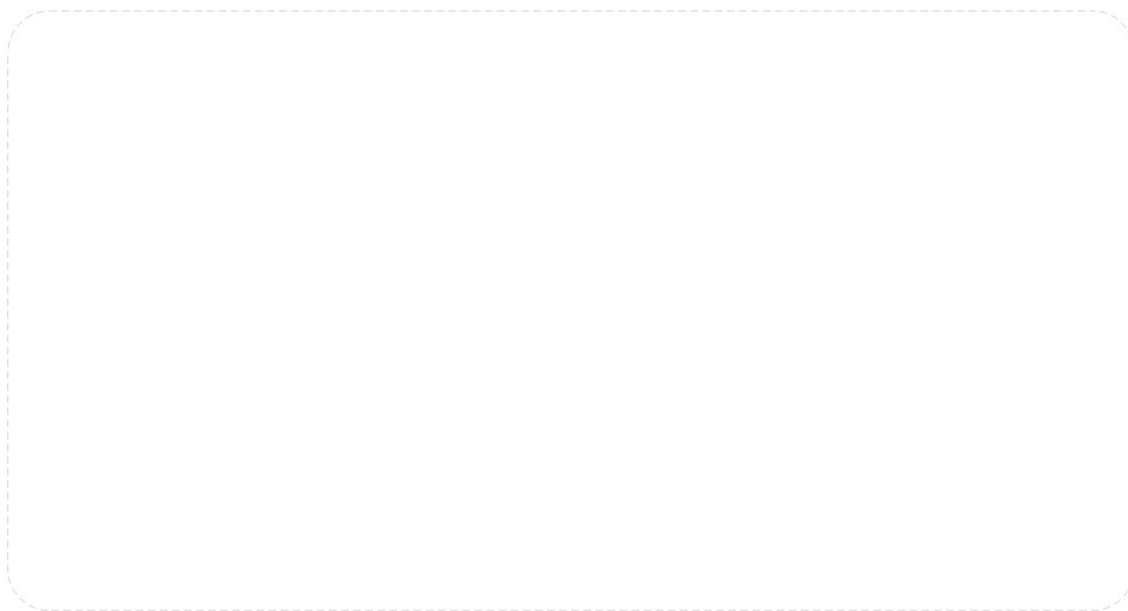


Technical Specification

Tube OD (mm)	300-1500 (12" - 60")
Rotation speed (mm/min)	40-500
OSC width (mm)	50
AVC height (mm)	50
Cooling	Circuit Water cooling
Connection	Tube to tube, tube to elbow



HUAHENG



HUAHENG
HUAHENG WELDING CO., LTD.

Add : No.1588 Boshi Road,Kunshan,Jiangsu,P.R.China. PC: 215347
Tel : +86(0)512-81866666 Fax : +86(0)512-57328188
www.huahengweld.com E-mail : info@huahengweld.com