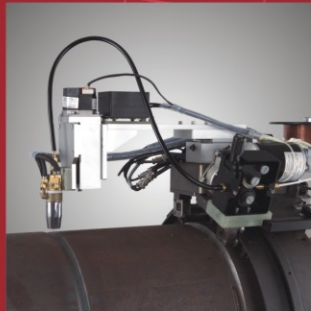
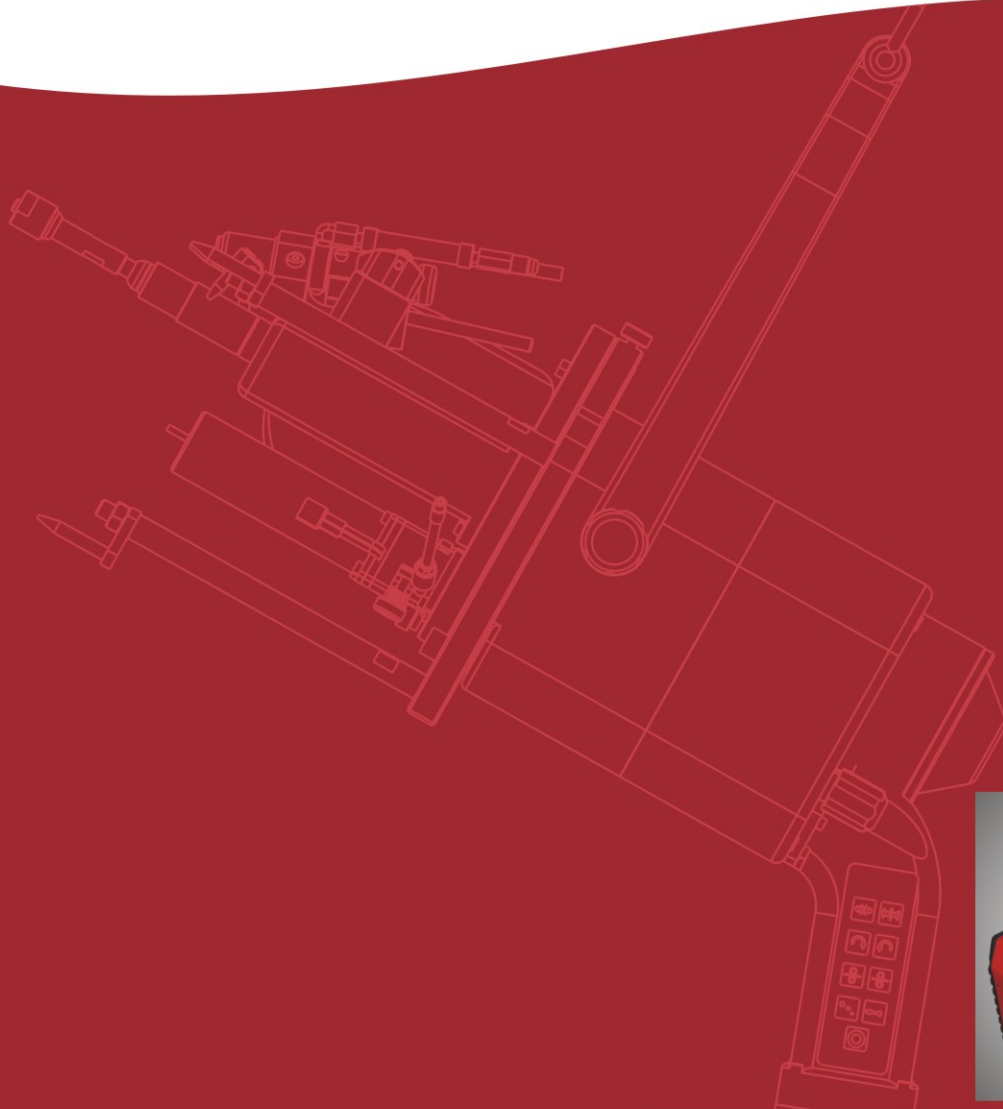
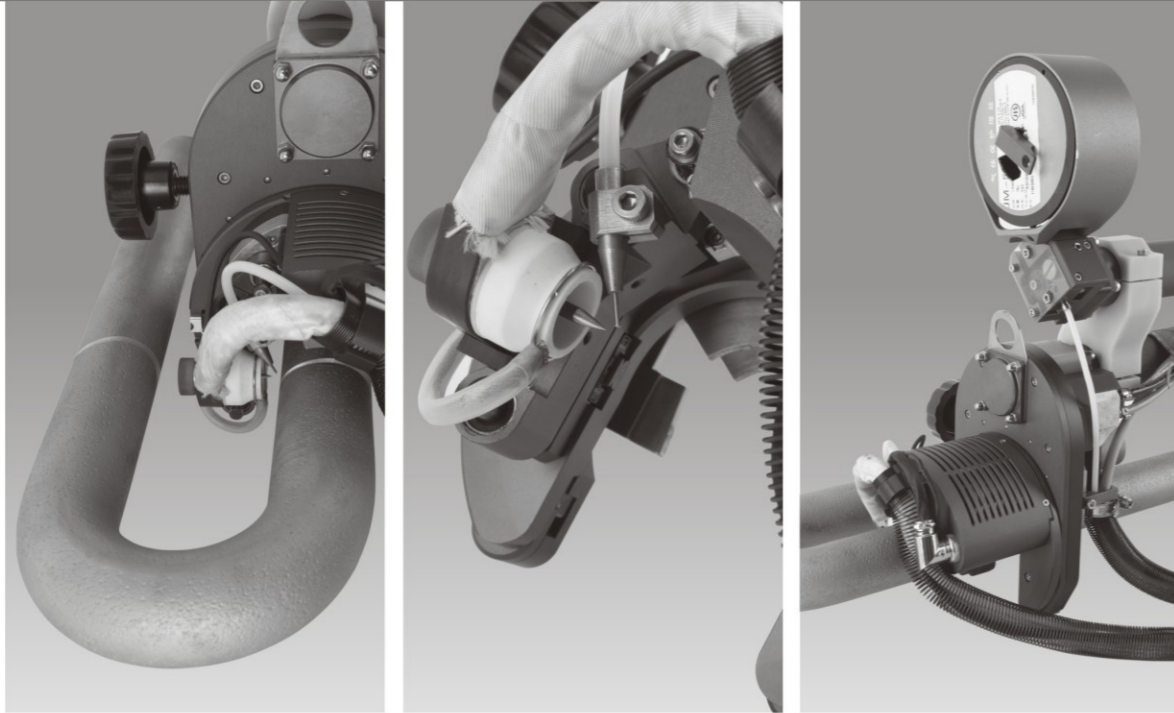


HUAHENG



ORBITAL Welding System

HUAHENG WELDING CO., LTD.



Brief Introduction

This welding head is special designed for tube to U-shape tube TIG welding, suitable for carbon steel, stainless steel tube to tube connection, mainly for wire feeding or self-fusion, integrated wire feeder with AVC & OSC function.

Support equipment: i-Arc400 Programmable Orbital Welding Power Source.

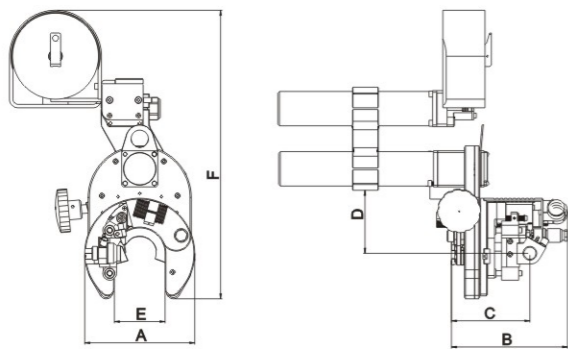
Application: chemical, food, engineering installation, boiler, military, nuclear and so on.

Features

- Special design for U-shape tube and narrow spacing tube to tube connection;
- Integrated orbital welding head and wire feeding;
- Unique cable hose twist;
- Motorized AVC and OSC motion for narrow spacing application;
- Quick launched clamping device to ensure homocentric;
- The most authorized practical experience ensures welding quality and repeatability.

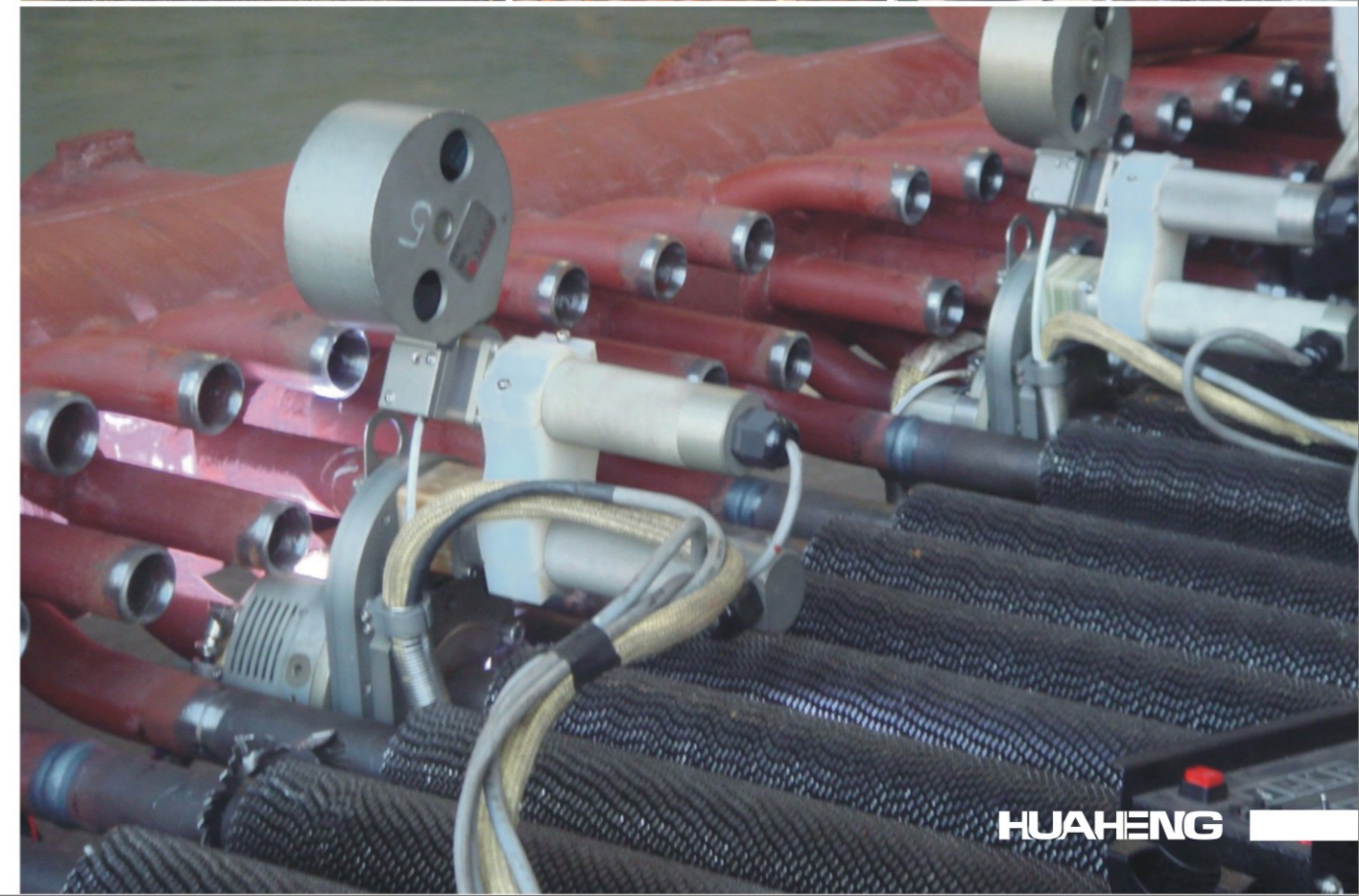
TOA50

Narrow spacing Tube to Tube Welding Head

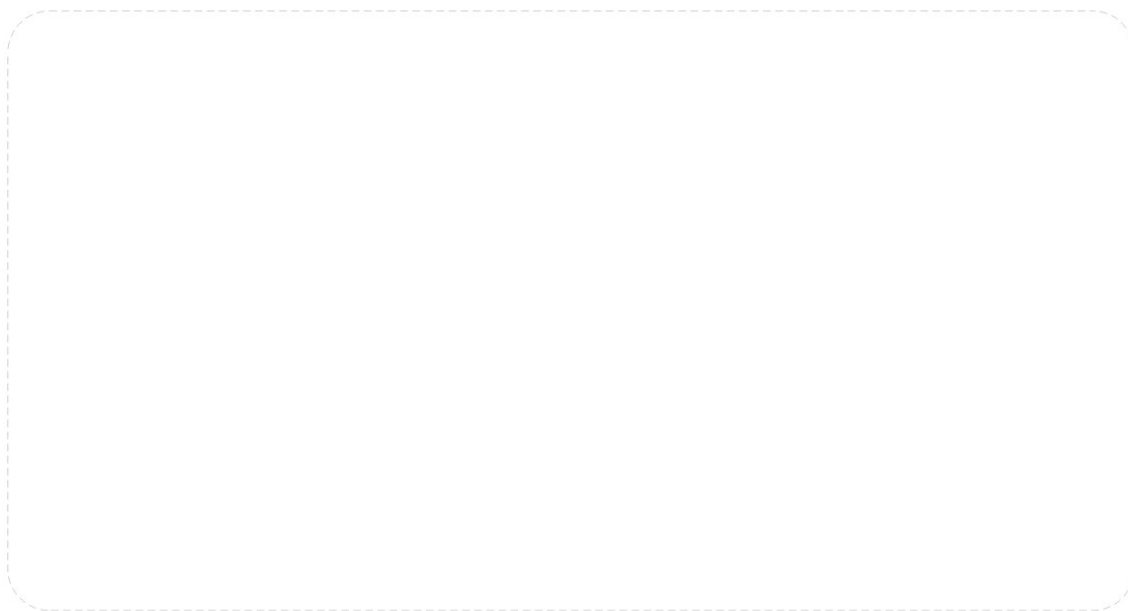


Technical Specification

Tube OD (mm)	Φ32 ~ Φ51
Tungsten diameter (mm)	Φ3.2
Wire diameter (mm)	Φ1.0
Rotation speed (rpm)	0.25 ~ 5.02
Cooling	Water
Dimension (mm)	
A	128
B	140
C	85 ~ 97
D	78
E	59
F	360
Weight (kg)	5



HUAHENG



HUAHENG
HUAHENG WELDING CO., LTD.

Add : No.1588 Boshi Road,Kunshan,Jiangsu,P.R.China. PC: 215347
Tel : +86(0)512-81866666 Fax : +86(0)512-57328188
www.huahengweld.com E-mail : info@huahengweld.com