



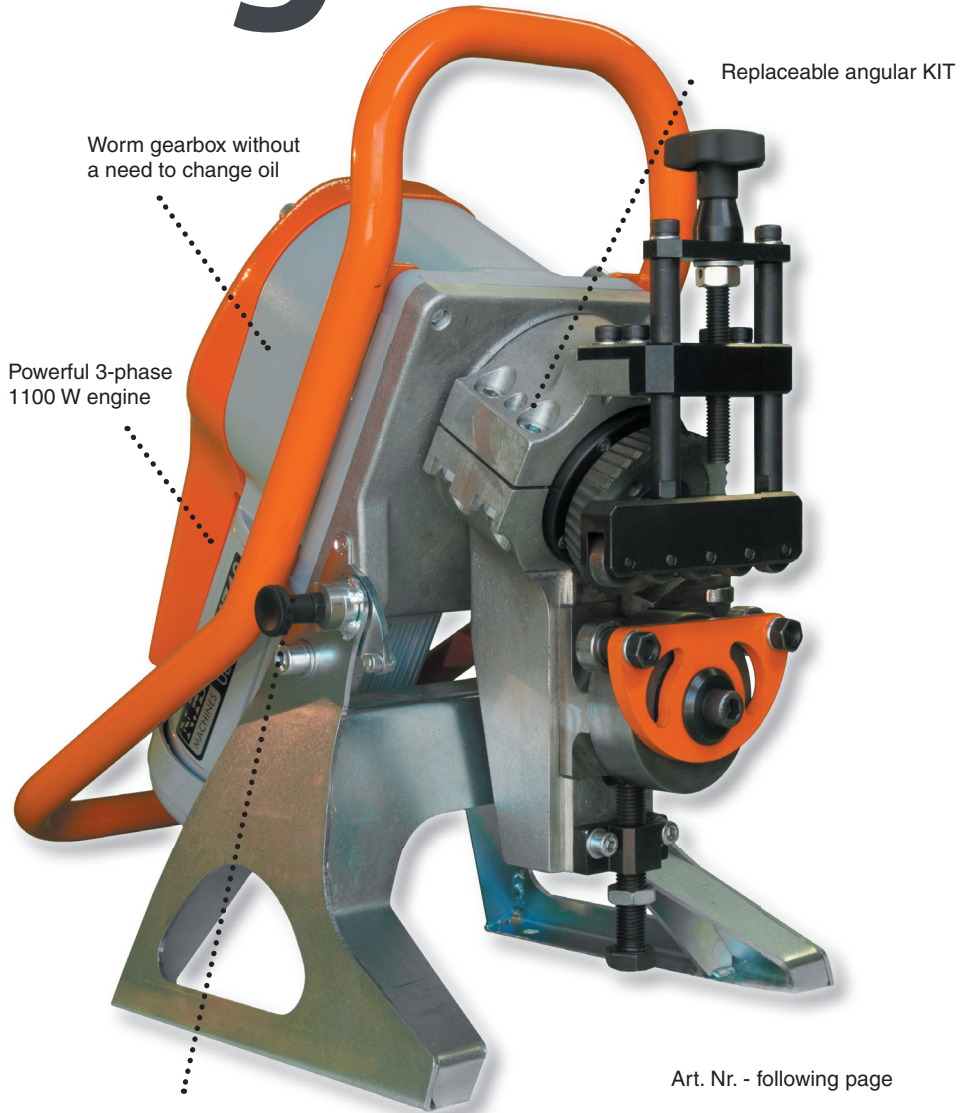
UZ 12 Ultralight



**Incredibly
quiet operation**



**3 BEVELERS
IN ONE**



Art. Nr. - following page

Machine tilting locking



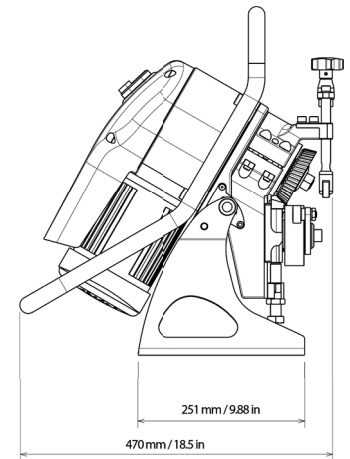
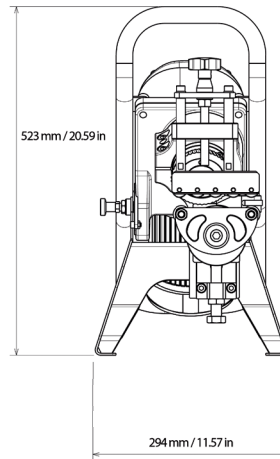


The UZ12 ULTRALIGHT is one of the lightest beveling machines with the automatic feed in the market. Due to its compact size and low weight it is perfect both for workshops but also for assemblies. The machine is equipped with the automatic feed. Working with UZ12 ULTRALIGHT is therefore very comfortable. The quietest beveling system in the market.

- For conventional steel (up to strength of 600 MPA / 87 022 PSI), stainless steel, brass, copper and aluminium materials.
- For beveling material with minimum dimensions - width 65 mm / 2.56 in, length 60 mm / 2.36 in, thickness 3 mm / 0.12in.
- Thickness of bevelled material 3 - 35 mm / 0.12 - 1.37 in.
- Beveling pipes from the internal Ø 95 mm / 3.74 in.
- The bevel angle can be changed using replaceable clamps (KIT for a given angle).
- The device is capable of performing double-sided bevel (X, K) without the need for material handling.
- Supersilent drive. The machine is not nearly heard.
- The machine is equipped with an automatic feed.
- Possibility of stationary and mobile use.
- The machine works on large workpieces without support at a speed of 1.8 m/min / 5.9 ft/min.
- Smaller parts of the material are inserted directly into the machine.
- Lightweight and compact design. One-man machine.
- Thermal protection of the motor

Technical data:

Max. bevel width: 12 mm / 0.47 in
 Bevel angle: 30°, 45°, 22.5°, 37.5°, 50° (replaceable KIT)
 Thickness of bevel. material: 3 - 35 mm / 0.12 - 1.37 in
 Engine: 400 W
 Feed: 1,8 m/min. / 5.9 ft/min.
 Weight: 30 kg / 66 lb
 Dimensions: 470 x 294 x 523 mm / 18.5 x 11.57 x 20.59 in



Included in price:

Beveling system UZ 12 ULTRALIGHT
 Tools for operators
 Instruction manual:

Machine name:

**Art. Nr. - 400V
3 phase**

**Art. Nr. - 480V
3 phase**

**Art. Nr. - 220V
3 phase**

| | | | |
|---|------|------|------|
| Beveling system UZ 12 ULTRALIGHT - set (KIT 30°) | 1920 | 1820 | 1914 |
| Beveling system UZ 12 ULTRALIGHT - set (KIT 45°) | 1921 | 1821 | 1915 |
| Beveling system UZ 12 ULTRALIGHT - set (KIT 30° + 45°) | 1922 | 1819 | 1913 |
| Beveling system UZ 12 ULTRALIGHT - set (KIT 22,5° + 30° + 37,5° + 45° + 50° + pipe beveling tool) | 1918 | 1818 | 1912 |

Accessories:

| | Art. Nr. |
|---|-----------------|
| ECO cutting tool - suitable for conventional steel | 1927 |
| ECO cutting tool - suitable for conventional steel - 2 + 1 free set | 1928 |
| PVD cutting tool - suitable for tougher materials | 1916 |
| PVD cutting tool - suitable for tougher materials - 2 + 1 free set | 1935 |
| Separate KIT 22.5° | 1926 |
| Separate KIT 30° | 1923 |
| Separate KIT 37.5° | 1925 |
| Separate KIT 45° | 1924 |
| Separate KIT 50° | 1929 |
| Pipe and tube beveling fixture from Ø 95 mm / 3.74 in (internal diameter) | 1919 |
| 3D Manipulator - allows you to rotate the machine by 180° thus creating a two-sided bevel and facilitates the machine transport at the workplace. | 1930 |
| Adapter for connecting UZ 12 Ultralight with the 3D Manipulator | 1911 |



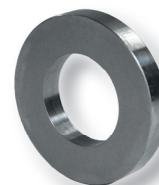
Art. Nr.1928



Art. Nr. 1927



Art. Nr. 1930



Art. Nr.1919



Art. Nr. 1923

